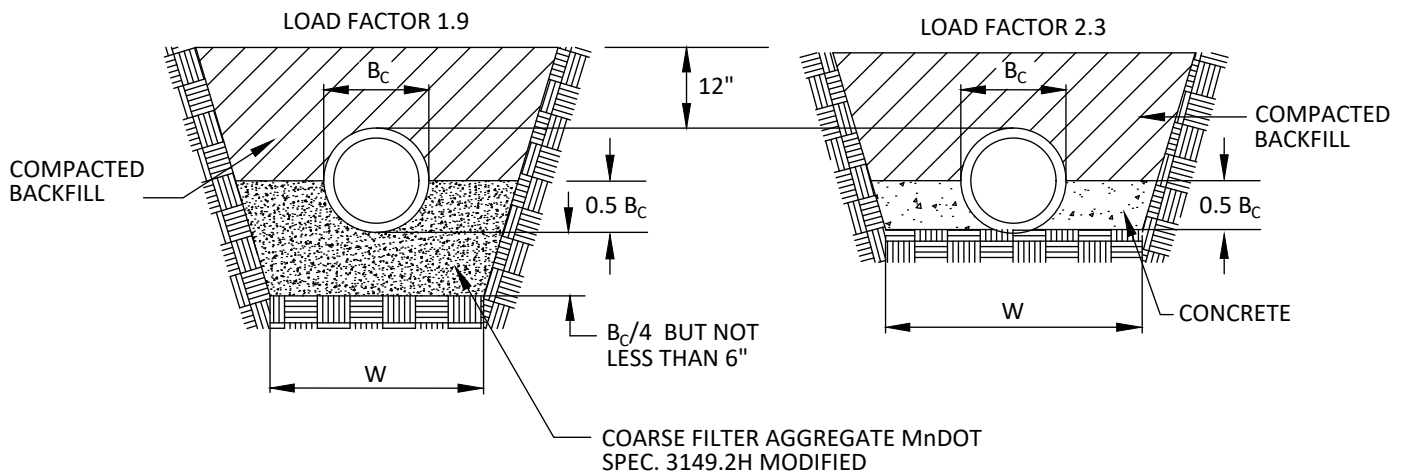


**CLASS C-1**  
HAND SHAPED FROM FIRM,  
UNDISTURBED SOIL

**CLASS C-2**  
HAND SHAPED FROM ANGULAR  
BEDDING MATERIAL

" $B_c$ " DENOTES  
OUTSIDE DIAMETER  
OF PIPE BARREL

" $W$ " =  $B_c + 12$ " MINIMUM



**CLASS B**  
HAND SHAPED FROM  
ANGULAR BEDDING MATERIAL

**CLASS A**  
CONCRETE BACKFILL TO  
0.5 OF OUTSIDE DIAMETER  
WITH SHAPED BEDDING