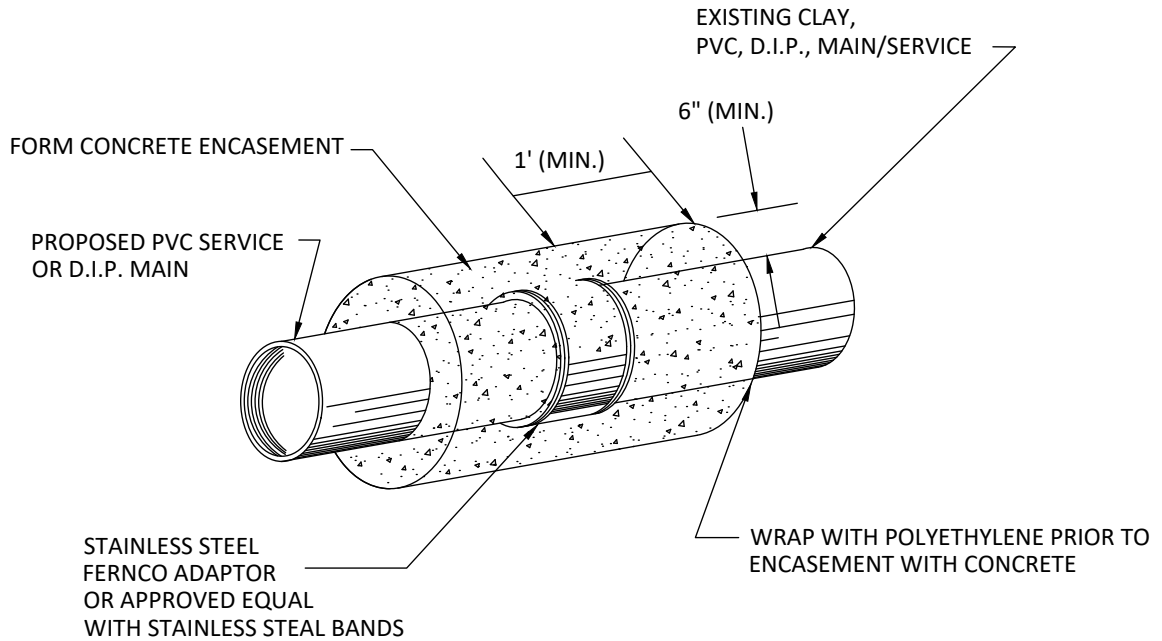


*IF THE PIPE OUTSIDE DIMETER IS DEEMED INCOMPATIBLE WITH THE SHEAR GUARD COUPLING, OR STAINLESS STEEL FERNCO WITH CONCRETE COLLAR MAYBE SUBSTITUTED AS DETAILED BELOW

SANITARY SEWER OR SERVICE SPOT REPAIR



STAINLESS STEEL FERNCO WITH CONCRETE COLLAR