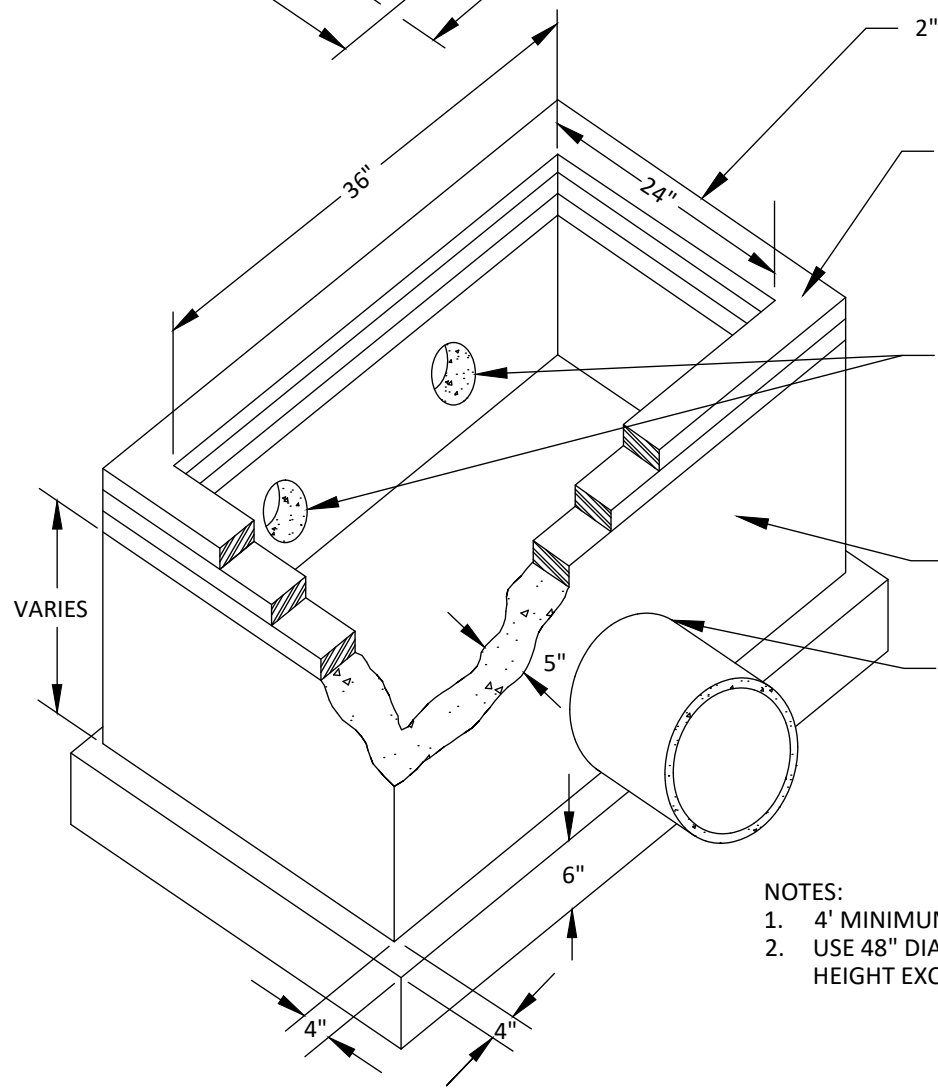


NEENAH CASTING NO. R-3067-V
OR APPROVED EQUAL. DIRECTION
OF MAJOR FLOW (TYPE V GRATE)

- NOTES:
1. RECESS CATCH BASINS 2" BELOW GUTTER LINE.
 2. EXPANSION MATERIAL TO BE PLACED IN FIRST CURB JOINT.



2" CONCRETE COLLAR

MINIMUM OF 2, MAXIMUM OF 5 HDPE
ADJUSTING RINGS. MAXIMUM ADJUSTMENT
OF 12". USE LARGER ADJUSTMENT RINGS
TO MINIMIZE THE NUMBER OF JOINTS.
USE TAPERED RINGS TO MATCH STREET
CROSS SLOPE.

PREFORMED HOLES REQUIRED FOR
SUBDRAIN CONNECTIONS. GROUT
INSIDE AND OUTSIDE AROUND SUBDRAIN.
TRIM DRAIN TILE BACK TO WALL.

5" THICK PRECAST CONCRETE
24"X36" STRUCTURE

DOGHOUSES SHALL BE GROUTED
ON BOTH INSIDE AND OUTSIDE.

- NOTES:
1. 4' MINIMUM BUILD HEIGHT WITH RINGS AND CASTING.
 2. USE 48" DIAMETER CATCH BASIN MANHOLE WHEN BUILD HEIGHT EXCEEDS 4.5'. SEE STD. DETAIL STO-2.



2'X3' CATCH BASIN

PLATE NO.
STM-04

REVISED 01/25