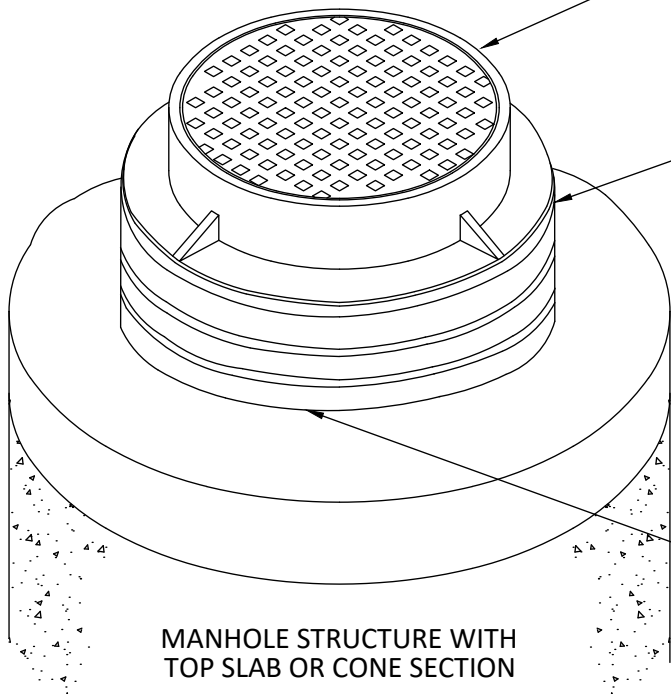


NEENAH R-3067-V CATCH BASIN FRAME AND GRATE AT ALL LOCATIONS WHERE NEW CASTINGS ARE INSTALLED (R-3067-VB AT LOW POINTS). ALL NEW CASTINGS TO BE FURNISHED WITH CURB INLET BOX WITH 3" RADIUS FRONT FACE AND 4-1/2" MINIMUM OPENING. IF EXISTING CASTING IS USED, ADJUST HOOD WITH NEW BOLTS TO 4-1/2" MIN. OPENING.

HIGH DENSITY POLYETHYLENE (HDPE) ADJUSTMENT RINGS. 3" MIN. - 12" MAX. RING HEIGHT ON NEW CONSTRUCTION. DO NOT USE ADHESIVE BETWEEN CATCH BASIN ADJUSTMENT RINGS. ON EXISTING CATCH BASIN OR CATCH BASIN MANHOLE ADJUSTMENTS OVER 12", ONE SOLID CONCRETE RING SHALL BE USED BELOW THE HDPE RINGS AS DIRECTED.

2" CONCRETE COLLAR (NO FABRIC)

CATCH BASIN STRUCTURE WITH TOP SLAB OR 2' X 3' BOX



NEENAH R-1642-B MANHOLE FRAME AND COVER SHALL BE FURNISHED WITH 2 CONCEALED PICK HOLES AND STAMPED "SANITARY SEWER" OR "STORM SEWER" TO COINCIDE WITH APPROPRIATE UTILITY.

HIGH DENSITY POLYETHYLENE (HDPE) ADJUSTMENT RINGS. 3" MIN. - 12" MAX. RING HEIGHT ON NEW CONSTRUCTION. USE 1/4" SPACER RING BETWEEN TOP ADJUSTMENT RING AND CASTING. ON EXISTING MANHOLE ADJUSTMENTS OVER 12", ONE SOLID CONCRETE RING SHALL BE USED BELOW THE HDPE RINGS AS DIRECTED.

NOTE:

CLEAN/WIRE BRUSH CONCRETE SURFACES AND CASTING PRIOR TO PLACING RINGS. BUTAL ADHESIVE REQUIRED BETWEEN CASTING, 1/4" SPACER RING, ADJUSTMENT RINGS, AND STRUCTURE ON ROUND MANHOLE ADJUSTMENTS ONLY.

MANHOLE STRUCTURE WITH TOP SLAB OR CONE SECTION